

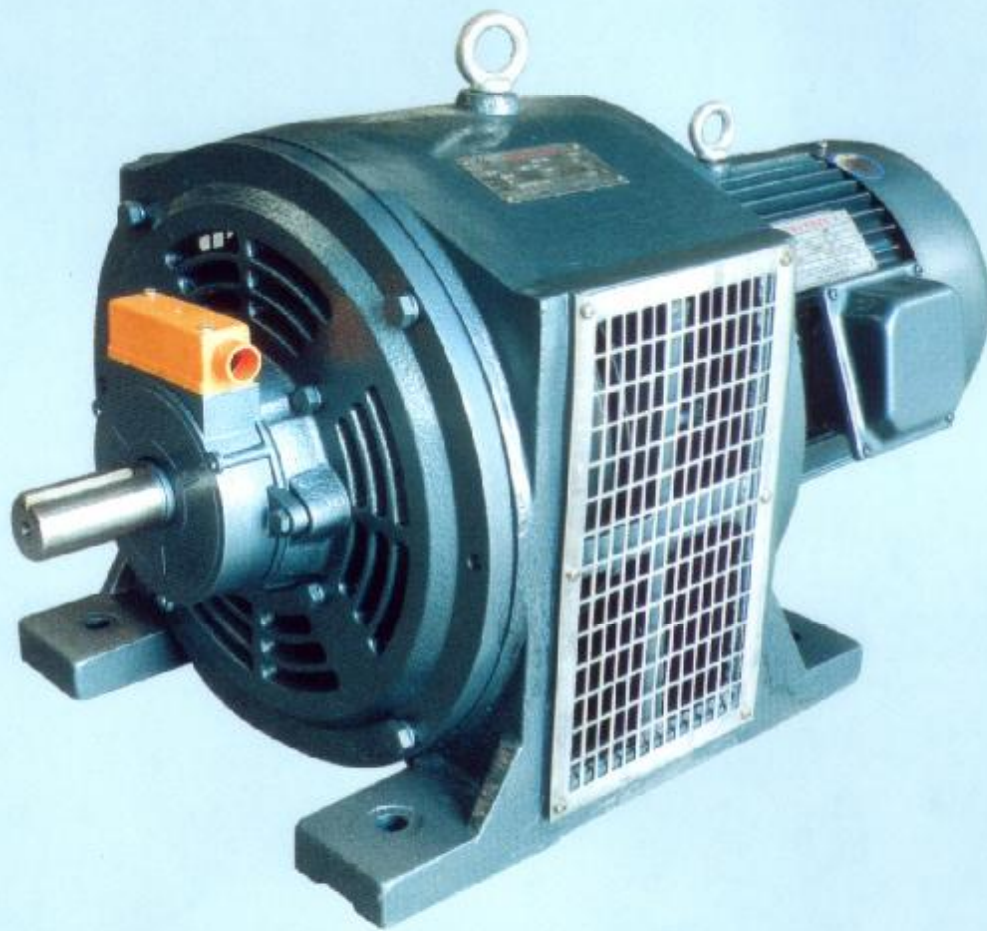


www.lijiu.com

+0086-631-6681025 6681242 6609006

YCT 系列电磁调速电动机

YCT Series Electromagnetic Adjustable Speed Motor



机座中心高: H112~H355mm

额定输出功率: 0.55kW~90kW

电源电压: 380V, 50HZ

(可根据用户定制)

防护等级: IP21

绝缘等级: F

冷却方式: IC411

Center height of frame: H112~H355mm

Rated power: 0.55kW~90kW

Rated voltage: 380V, 50HZ

(can be made by the customer's requirements)

Grade of protections: IP21

Class of insulation:F

Cooling type: IC411

概述 Outlines

YCT系列电动机是一种简单、可靠的恒转矩无级调速电机，它由鼠笼型异步电动机、电磁转差离合器和控制器三部分组成。

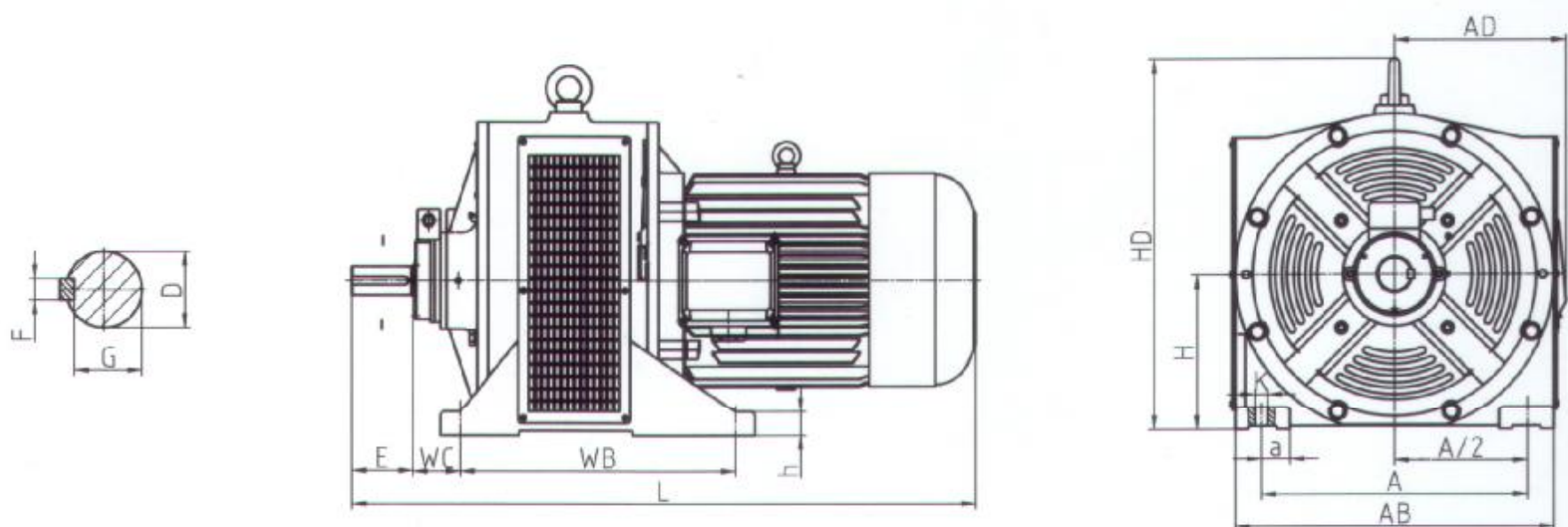
该系列产品可在额定转速内无级调速，并能输出额定的转矩。运行时，根据负载的变化情况，可借控制器速度负反馈系统自动调节离合器的激磁电流，使输出轴转速基本保持不变，适用于负载转矩随着转速的升高而增大的设备，如风机、水泵等负载，结构简单、操作方便、环境适应性强、价格便宜。

该系列产品适用于恒转矩无级调速的场合，也适用于风机、水泵、矿山机械等设备。

YCT series motor is a simple and reliable speed regulating products. It consists of a squirrel cage induction motor, an electromagnetic coupling, and a controller.

This series product can stepless adjust its speed within rated range and output rated torque. Its output speed held nearly constant by automatically adjusting the coupling exciting current by means of speed negative feedback system of the controller according to the load changes. This series product is suitable for equipments which load torque increasing with speed, such as fan blowers and pumps. It has features of simple structure, easy to operate, environmental adaptability and low price.

The product is suitable for constant torque speed regulation for fan blowers, pumps and mining machinery.



YCT 系列技术参数及安装尺寸 Technical Data and Mounting Dimensions of YCT Series

| 型号 Type | 额定功率 Rated Power (kW) | 额定转矩 Rated Torque (N.m) | 转速范围 Speed Range (r/min) | 安装尺寸 Mounting Dimensions | | | | | | | | | | 外形尺寸 Outline Dimensions | | | | | |
|------------|-----------------------------|-------------------------------|--------------------------------|-----------------------------|-------|-----|----|----|-----|----|------|-----|----|----------------------------|-----|-----|------|----|-----|
| | | | | A | A/2 | WB | WC | D | E | F | G | H | K | AB | AD | HD | L | h | a |
| YCT112-4A | 0.55 | 3.6 | 1230~125 | 190 | 95 | 210 | 40 | 19 | 40 | 6 | 15.5 | 112 | 12 | 260 | 150 | 280 | 520 | 16 | 40 |
| YCT112-4B | 0.75 | 4.9 | 1230~125 | 190 | 95 | 210 | 40 | 19 | 40 | 6 | 15.5 | 112 | 12 | 260 | 150 | 280 | 520 | 16 | 40 |
| YCT132-4A | 1.1 | 7.1 | 1230~125 | 216 | 108 | 241 | 40 | 24 | 50 | 8 | 20 | 132 | 12 | 310 | 165 | 330 | 570 | 20 | 55 |
| YCT132-4B | 1.5 | 9.7 | 1230~125 | 216 | 108 | 241 | 40 | 24 | 50 | 8 | 20 | 132 | 12 | 310 | 165 | 330 | 585 | 20 | 55 |
| YCT160-4A | 2.2 | 14.1 | 1230~125 | 254 | 127 | 267 | 45 | 28 | 60 | 8 | 24 | 160 | 15 | 350 | 185 | 385 | 665 | 20 | 65 |
| YCT160-4B | 3 | 19.2 | 1230~125 | 254 | 127 | 267 | 45 | 28 | 60 | 8 | 24 | 160 | 15 | 350 | 185 | 385 | 665 | 20 | 65 |
| YCT180-4A | 4 | 25.2 | 1230~125 | 279 | 139.5 | 305 | 45 | 28 | 60 | 8 | 24 | 180 | 15 | 385 | 195 | 430 | 700 | 30 | 70 |
| YCT200-4A | 5.5 | 36.1 | 1230~125 | 318 | 159 | 356 | 50 | 38 | 80 | 10 | 33 | 200 | 19 | 430 | 235 | 485 | 820 | 30 | 80 |
| YCT200-4B | 7.5 | 47.7 | 1230~125 | 318 | 159 | 356 | 50 | 38 | 80 | 10 | 33 | 200 | 19 | 430 | 235 | 485 | 860 | 30 | 80 |
| YCT225-4A | 11 | 69 | 1230~125 | 356 | 178 | 406 | 56 | 42 | 110 | 12 | 37 | 225 | 19 | 485 | 270 | 545 | 980 | 30 | 94 |
| YCT225-4B | 15 | 94 | 1230~125 | 356 | 178 | 406 | 56 | 42 | 110 | 12 | 37 | 225 | 19 | 485 | 270 | 545 | 1025 | 30 | 94 |
| YCT225-6A | 7.5 | 69 | 800~100 | 356 | 178 | 406 | 56 | 42 | 110 | 12 | 37 | 225 | 19 | 485 | 270 | 545 | 980 | 30 | 94 |
| YCT225-6B | 11 | 94 | 800~100 | 356 | 178 | 406 | 56 | 42 | 110 | 12 | 37 | 225 | 19 | 485 | 270 | 545 | 1025 | 30 | 94 |
| YCT225-8A1 | 4 | 50 | 600~100 | 356 | 178 | 406 | 56 | 42 | 110 | 12 | 37 | 225 | 19 | 485 | 270 | 545 | 980 | 30 | 94 |
| YCT225-8A2 | 5.5 | 69 | 600~100 | 356 | 178 | 406 | 56 | 42 | 110 | 12 | 37 | 225 | 19 | 485 | 270 | 545 | 980 | 30 | 94 |
| YCT225-8B | 7.5 | 94 | 600~100 | 356 | 178 | 406 | 56 | 42 | 110 | 12 | 37 | 225 | 19 | 485 | 270 | 545 | 1025 | 30 | 94 |
| YCT250-4A | 18.5 | 110 | 1320~132 | 406 | 203 | 457 | 63 | 48 | 110 | 14 | 42.5 | 250 | 24 | 540 | 295 | 595 | 1130 | 35 | 105 |
| YCT250-4B | 22 | 137 | 1320~132 | 406 | 203 | 457 | 63 | 48 | 110 | 14 | 42.5 | 250 | 24 | 540 | 295 | 595 | 1170 | 35 | 105 |
| YCT250-6B | 15 | 137 | 850~100 | 406 | 203 | 457 | 63 | 48 | 110 | 14 | 42.5 | 250 | 24 | 540 | 295 | 595 | 1170 | 35 | 105 |

| 型号 Type | 额定功率 Rated Power (kW) | 额定转矩 Rated Torque (N.m) | 转速范围 Speed Range (r/min) | 安装尺寸 Mounting Dimensions | | | | | | | | | | 外形尺寸 Outline Dimensions | | | | | |
|------------|-----------------------------|-------------------------------|--------------------------------|-----------------------------|-------|-----|-----|----|-----|----|------|-----|----|----------------------------|-----|-----|------|----|-----|
| | | | | A | A/2 | WB | WC | D | E | F | G | H | K | AB | AD | HD | L | h | a |
| YCT250-8B | 11 | 137 | 630~100 | 406 | 203 | 457 | 63 | 48 | 110 | 14 | 42.5 | 250 | 24 | 540 | 295 | 595 | 1170 | 35 | 105 |
| YCT280-4A | 30 | 189 | 1320~132 | 457 | 228.5 | 508 | 70 | 55 | 110 | 16 | 49 | 280 | 24 | 595 | 320 | 665 | 1280 | 40 | 110 |
| YCT280-6A1 | 18.5 | 173 | 850~100 | 457 | 228.5 | 508 | 70 | 55 | 110 | 16 | 49 | 280 | 24 | 595 | 320 | 665 | 1280 | 40 | 110 |
| YCT280-6A2 | 22 | 189 | 850~100 | 457 | 228.5 | 508 | 70 | 55 | 110 | 16 | 49 | 280 | 24 | 595 | 320 | 665 | 1280 | 40 | 110 |
| YCT280-8A | 15 | 189 | 630~100 | 457 | 228.5 | 508 | 70 | 55 | 110 | 16 | 49 | 280 | 24 | 595 | 320 | 665 | 1280 | 40 | 110 |
| YCT315-4A | 37 | 232 | 1320~132 | 508 | 254 | 560 | 89 | 60 | 140 | 18 | 53 | 315 | 28 | 670 | 345 | 770 | 1400 | 45 | 130 |
| YCT315-4B | 45 | 282 | 1320~132 | 508 | 254 | 560 | 89 | 60 | 140 | 18 | 53 | 315 | 28 | 670 | 345 | 770 | 1425 | 45 | 130 |
| YCT315-6B | 30 | 282 | 870~100 | 508 | 254 | 560 | 89 | 60 | 140 | 18 | 53 | 315 | 28 | 670 | 345 | 770 | 1425 | 45 | 130 |
| YCT315-8A | 18.5 | 232 | 650~100 | 508 | 254 | 560 | 89 | 60 | 140 | 18 | 53 | 315 | 28 | 670 | 345 | 770 | 1400 | 45 | 130 |
| YCT315-8B | 22 | 279 | 650~100 | 508 | 254 | 560 | 89 | 60 | 140 | 18 | 53 | 315 | 28 | 670 | 345 | 770 | 1425 | 45 | 130 |
| YCT355-4A | 55 | 344 | 1340~440 | 610 | 305 | 630 | 108 | 65 | 140 | 18 | 58 | 355 | 28 | 780 | 390 | 890 | 1550 | 55 | 130 |
| YCT355-4B | 75 | 469 | 1340~440 | 610 | 305 | 630 | 108 | 75 | 140 | 20 | 67.5 | 355 | 28 | 780 | 420 | 890 | 1630 | 55 | 130 |
| YCT355-4C | 90 | 564 | 1340~600 | 610 | 305 | 630 | 108 | 75 | 140 | 20 | 67.5 | 355 | 28 | 780 | 420 | 890 | 1680 | 55 | 130 |
| YCT355-6A | 37 | 344 | 870~300 | 610 | 305 | 630 | 108 | 65 | 140 | 18 | 58 | 355 | 28 | 780 | 390 | 890 | 1550 | 55 | 130 |
| YCT355-6B | 45 | 426 | 870~300 | 610 | 305 | 630 | 108 | 75 | 140 | 20 | 67.5 | 355 | 28 | 780 | 420 | 890 | 1630 | 55 | 130 |
| YCT355-6C | 55 | 520 | 870~400 | 610 | 305 | 630 | 108 | 75 | 140 | 20 | 67.5 | 355 | 28 | 780 | 420 | 890 | 1680 | 55 | 130 |
| YCT355-8A | 30 | 344 | 650~200 | 610 | 305 | 630 | 108 | 65 | 140 | 18 | 58 | 355 | 28 | 780 | 390 | 890 | 1550 | 55 | 130 |
| YCT355-8B | 37 | 463 | 650~200 | 610 | 305 | 630 | 108 | 75 | 140 | 20 | 67.5 | 355 | 28 | 780 | 420 | 890 | 1630 | 55 | 130 |
| YCT355-8C | 45 | 564 | 650~340 | 610 | 305 | 630 | 108 | 75 | 140 | 20 | 67.5 | 355 | 28 | 780 | 420 | 890 | 1680 | 55 | 130 |