

YVP 系列变频调速三相异步电动机

YVP Series Converter - Fed Three - Phase Induction Motor



机座中心高: H80~H355mm
额定输出功率: 0.55kW~315kW
电源电压: 380V、50HZ
(可根据用户定制)
防护等级: IP54、IP55
绝缘等级: F
冷却方式: IC06

Center height of frame: H80~H355mm
Rated power: 0.55kW~315kW
Rated voltage: 380V、50HZ
(can be made by the customer's requirements)
Grade of protections: IP54、IP55
Class of insulation: F
Cooling type: IC06

概述 Outlines

YVP系列电动机是经过特殊设计的与异步变频器配套使用的交流变频无级调速电机,可在变频电源下工作,分带编码器的和不带编码器的两种。

该系列产品调速范围宽,在5-50HZ范围内作恒转矩变频调速运行,在50-100HZ范围内作恒功率变频调速运行,运行平稳、转矩脉动小。根据使用要求,可安装独立的风扇冷却装置,使电机在不同转速下均有较好的冷却效果。电机带编码器时起动更平稳、控制更精确。

该系列产品适用于风机、水泵、液压站、塑料机械、造纸机械、橡胶机械等需要无级调速的场合,可替代YCT系列电动机,效率和控制精度高。

YVP series motor is an AC frequency conversion stepless speed motor by special designed and used with asynchronous converter. It can be operated under variable frequency power source, and divided into two kinds: with encoder and without encoder.

This series product has wide speed regulation range. It runs under constant torque within the frequency range of 5-50Hz and under constant power within the frequency range of 50-100Hz stably and small torque pulsation. According to using requirements, it can be equipped with independent fan cooling device to ensure better cooling effects under different speed. With encoder, the motor starts smoother; the control is more precision.

The series product is applied to equipments of pumps, fan blowers, hydraulic stations, plastic machinery, paper machinery, and rubber machinery, etc. which need stepless speed regulation to replace YCT series motor. It has features of high efficiency and control precision.

YVP 系列技术参数 Technical Data of YVP Series

型号 Type	功率 Power (kW)	额定电流 Rated Current (A)	额定转矩 Rated Torque (N.m)	堵转转矩 Locked Torque	最小转矩 Min Torque	最大转矩 Max Torque	堵转电流 Locked Current	恒转矩变频范围 Constant torque frequency converting scope (HZ)	恒功率变频范围 Constant power frequency converting scope (HZ)
				额定转矩 Rated Torque	额定转矩 Rated Torque	额定转矩 Rated Torque	额定电流 Rated Current		
2 极—同步转速 3000(r/min) 50HZ 2 poles — Synchronous speed 3000 rpm 50HZ									
YVP80M1-2	0.75	1.8	2.4	2.2	1.5	2.3	6.1	5~50	50~60
YVP80M2-2	1.1	2.5	3.5				7.0		
YVP90S-2	1.5	3.4	4.7						
YVP90L-2	2.2	4.7	7.0		1.4				
YVP100L-2	3	6.4	9.5						
YVP112M-2	4	8.2	12.7				2.0		
YVP132S1-2	5.5	11.1	17.5						
YVP132S2-2	7.5	15.0	23.9						
YVP160M1-2	11	21.8	35.0						
YVP160M2-2	15	29.4	47.7						
YVP160L-2	18.5	35.5	58.9	2.2	0.9	7.1			
YVP180M-2	22	42.2	70.0						
YVP200L1-2	30	56.9	95.5						
YVP200L2-2	37	69.8	117.8						
YVP225M-2	45	83.9	143.3						
YVP250M-2	55	101	175.1				1.8	1.0	3~50
YVP280S-2	75	136	238.7						
YVP280M-2	90	160.2	286.5						
YVP315S-2	110	195.4	350.1						
YVP315M-2	132	233.2	420.2						
YVP315L1-2	160	279.3	509.3	1.2	0.71	5~100			
YVP315L2-2	200	347.4	636.6						
YVP355M1-2	220	379	700.3						
YVP355M2-2	250	432	795.8						
YVP355L1-2	280	482	891.3						
YVP355L2-2	315	543	1002.7						
4 极—同步转速 1500(r/min) 50HZ 4 poles — Synchronous speed 1500 rpm 50HZ									
YVP80M1-4	0.55	1.5	3.5	2.4	1.7	2.3	5.2	5~50	50~100
YVP80M2-4	0.75	2.0	4.7				6.0		
YVP90S-4	1.1	2.7	7.0						
YVP90L-4	1.5	3.7	9.5	2.3	1.6				
YVP100L1-4	2.2	5.0	14.0						
YVP100L2-4	3	6.8	19.0						
YVP112M-4	4	8.8	25.4	2.2	1.5				



型号 Type	功率 Power (kW)	额定电流 Rated Current (A)	额定转矩 Rated Torque (N.m)	堵转转矩 Locked Torque	最小转矩 Min Torque	最大转矩 Max Torque	堵转电流 Locked Current	恒转矩变频范围 Constant torque frequency converting scope (HZ)	恒功率变频范围 Constant power frequency converting scope (HZ)
				额定转矩 Rated Torque	额定转矩 Rated Torque	额定转矩 Rated Torque	额定电流 Rated Current		
YVP132S-4	5.5	11.6	35.0	2.2	1.4	2.3	7.0	5-50	50-100
YVP132M-4	7.5	15.4	47.7						
YVP160M-4	11	22.6	70.0						
YVP160L-4	15	30.3	95.5	2.0	1.2	7.5			
YVP180M-4	18.5	35.9	117.7						
YVP180L-4	22	42.5	140.1						
YVP200L-4	30	56.8	191.0	1.9	1.1	7.2			
YVP225S-4	37	70.4	235.5						
YVP225M-4	45	84.2	286.5	2.0	1.0	6.9			
YVP250M-4	55	103	350.1						
YVP280S-4	75	139.6	477.5	1.9	0.9	6.9			
YVP280M-4	90	166.9	573.0						
YVP315S-4	110	201	700.3	1.8	0.83	6.9			
YVP315M-4	132	240.4	840.4						
YVP315L1-4	160	287.8	1018.5						
YVP315L2-4	200	358.6	1273.2	1.4	0.71	3-50			
YVP355M1-4	220	385	1400.6						
YVP355M2-4	250	436	1591.6						
YVP355L1-4	280	488	1782.6	1.4	0.71	3-50			
YVP355L2-4	315	547	2005.5						

6极—同步转速 1000(r/min) 50HZ 6 poles — Synchronous speed 1000 rpm 50HZ

YVP90S-6	0.75	2.3	7.1	2.0	1.3	2.2	5.5	5-50	50-100		
YVP90L-6	1.1	3.2	10.5								
YVP100L-6	1.5	4.0	14.3								
YVP112M-6	2.2	5.6	21.0				2.1			1.2	7.0
YVP132S-6	3	7.2	28.6								
YVP132M1-6	4	9.4	38.2								
YVP132M2-6	5.5	12.6	52.5	1.7	1.1	7.0					
YVP160M-6	7.5	17.0	71.6								
YVP160L-6	11	24.6	105.1	1.8	1.1	7.0					
YVP180L-6	15	31.4	143.2								
YVP200L1-6	18.5	37.7	176.6	1.8	1.1	7.0					
YVP200L2-6	22	44.6	210.1								
YVP225M-6	30	59.5	286.5	1.8	1.1	7.0					
YVP250M-6	37	71	353.3								
YVP280S-6	45	85.9	428.7	1.8	1.1	7.0					
YVP280M-6	55	104.7	525.2								

型号 Type	功率 Power (kW)	额定电流 Rated Current (A)	额定转矩 Rated Torque (N.m)	堵转转矩 Locked Torque	最小转矩 Min Torque	最大转矩 Max Torque	堵转电流 Locked Current	恒转矩变频范围 Constant torque frequency converting scope (HZ)	恒功率变频范围 Constant power frequency converting scope (HZ)
				额定转矩 Rated Torque	额定转矩 Rated Torque	额定转矩 Rated Torque	额定电流 Rated Current		
YVP315S-6	75	141.7	716.6	1.6	1.0	2.0	7.0	3~50	50~100
YVP315M-6	90	169.5	859.5						
YVP315L1-6	110	206.7	1050.5						
YVP315L2-6	132	244.7	1260.6						
YVP355M1-6	160	300	1528.0	1.3	0.95	6.7	3~50	50~100	
YVP355M2-6	185	346	1766.7		0.83				
YVP355M3-6	200	374	1910.0						
YVP355L1-6	220	409	2101.0						
YVP355L2-6	250	445	2388.5						

8极—同步转速 750(r/min) 50HZ 8 poles— Synchronous speed 750 rpm 50HZ

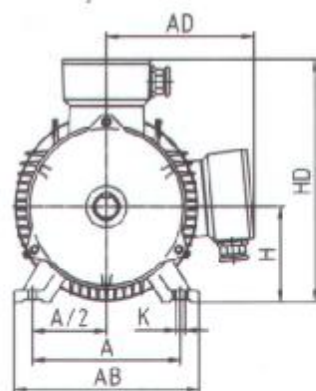
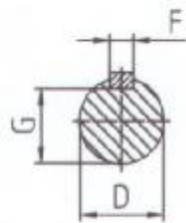
YVP132S-8	2.2	6.0	28.0	7.5	1.2	2.0	6.0	5~50	50~100
YVP132M-8	3	7.9	38.2						
YVP160M1-8	4	10.3	50.9						
YVP160M2-8	5.5	13.6	70.0						
YVP160L-8	7.5	17.9	95.5	1.8	1.1	6.6	5~50	50~100	
YVP180L-8	11	25.3	140.0						
YVP200L-8	15	34.1	191.0	1.7	1.1	6.6	5~50	50~100	
YVP225S-8	18.5	41.3	235.5						
YVP225M-8	22	47.6	280.1	1.8	1.0	2.0	6.6	5~50	50~100
YVP250M-8	30	64	382.0						
YVP280S-8	37	77.8	471.1						
YVP280M-8	45	94	573.0						
YVP315S-8	55	111.2	700.3	1.6	0.9	2.0	6.6	3~50	50~100
YVP315M-8	75	151.3	955.0						
YVP315L1-8	90	177.8	1146.0						
YVP315L2-8	110	216.8	1400.6						
YVP355M1-8	132	260	1680.8	1.3	0.83	2.0	6.4	3~50	50~100
YVP355M2-8	160	310	2037.3						
YVP355L1-8	185	357	2355.6						
YVP355L2-8	200	386	2546.6						

10极—同步转速 600(r/min) 50HZ 10 poles— Synchronous speed 600 rpm 50HZ

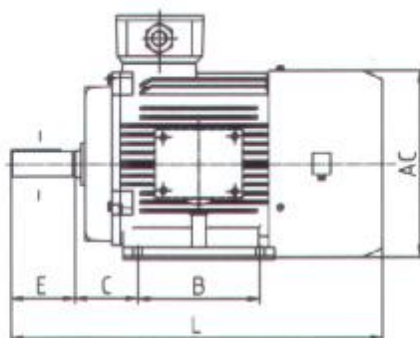
YVP315S-10	45	99.6	716.2	1.4	0.8	2.0	6.2	5~50	50~100
YVP315M-10	55	121.1	875.4						
YVP315L1-10	75	162.1	1193.7						
YVP315L2-10	90	191	1432.5	1.2	0.71	2.0	6.0	3~50	50~100
YVP355M1-10	110	230	1750.8						
YVP355M2-10	132	275	2101.0						
YVP355L-10	160	333	2546.6						

B3 安装形式

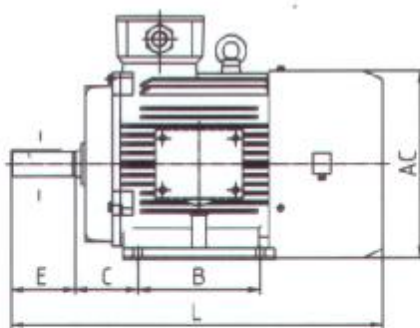
Mounting arrangements B3



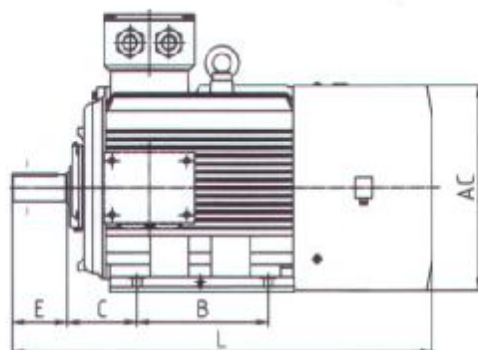
机座号(Frame No.) 80-355



机座号(Frame No.) 80-90



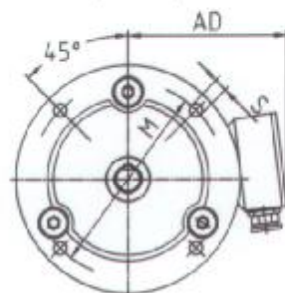
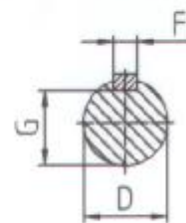
机座号(Frame No.) 100-132



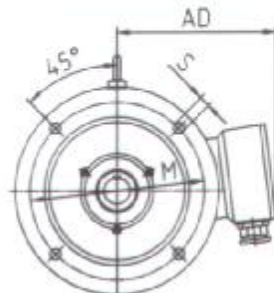
机座号(Frame No.) 160-355

B5 安装形式

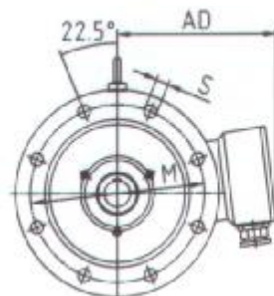
Mounting arrangements B5



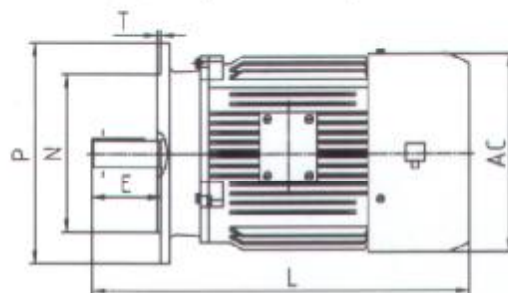
机座号(Frame No.) 80-90



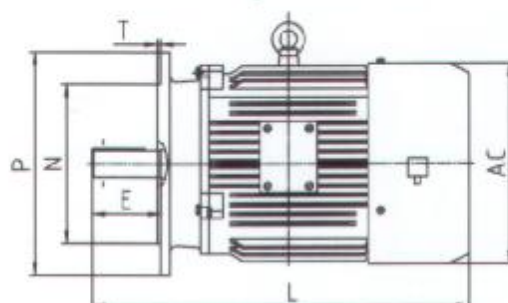
机座号(Frame No.) 100-200



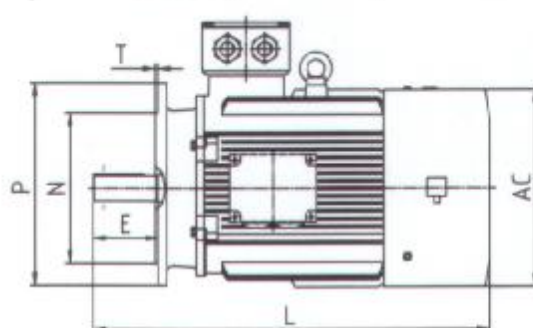
机座号(Frame No.) 225-280



机座号(Frame No.) 80-90



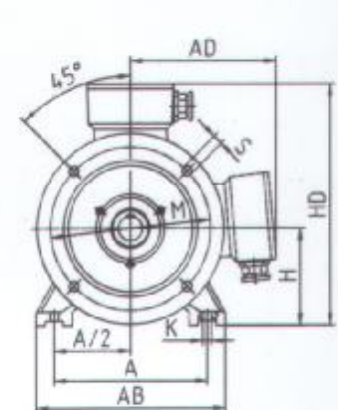
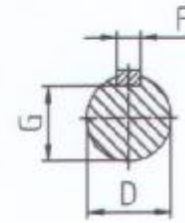
机座号(Frame No.) 100-132



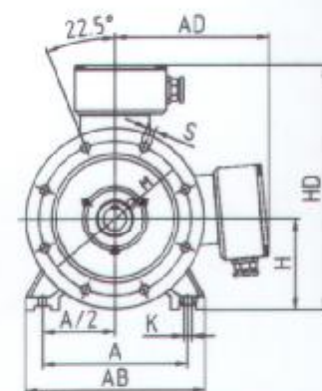
机座号(Frame No.) 160-280

B35 安装形式

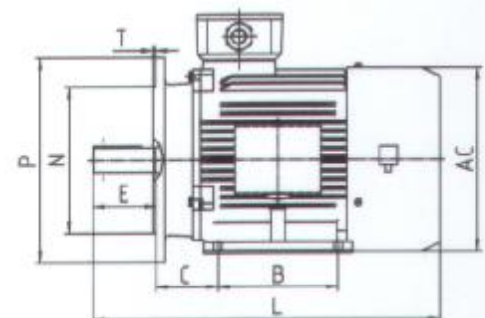
Mounting arrangements B35



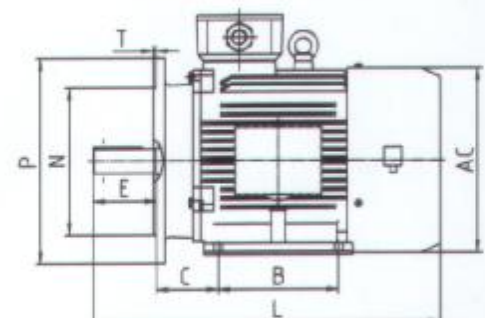
机座号(Frame No.) 80-200



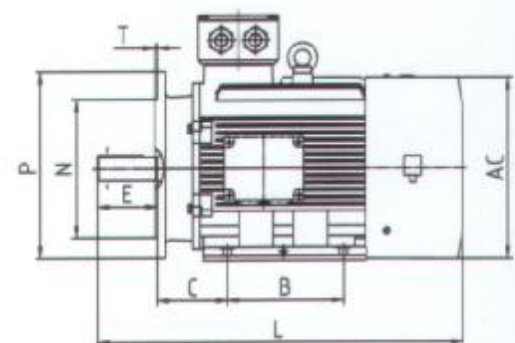
机座号(Frame No.) 225-315



机座号(Frame No.) 80-90



机座号(Frame No.) 100-132



机座号(Frame No.) 160-315

外型及安装尺寸

Outline and Mounting Dimensions

机座号 Frame No.	极数 Poles No.	安装尺寸 Mounting Dimensions																	外形尺寸 Outline Dimensions													
		A	A/2	B	C	D	E	F	G	H	K	M	N	P	R	S	T	凸缘孔数 Holes No.	AB	AC	AD	HD	L									
YVP80M	2, 4	125	62.5	100	50	±19	40	6	0	15.5	0	80															165	175	145	175	350	
YVP90S	2, 4, 6	140	70	125	56	±1.5	24	±0.009	50	±0.31		20	90	10	+0.36	165	130	+0.014	200	±1.5	12	∅1.0	3.5				180	195	155	195	390	
YVP90L																															410	
YVP100L			160	80		63		28	0	80		8	0	100			215	180	-0.011	250								205	215	180	245	455
YVP112M			190	95	140	70	±2.0		±0.036	24				112														245	240	190	265	480
YVP132S	2, 4, 6, 8	216	108		89		38	80	10	33	132	0		12		265	230		300	±2.0	14.5		4				280	275	210	315	530	
YVP132M					178											+0.43															570	
YVP160M			254	127	210	108		42	+0.018	12	37	160	-0.5		0		300	250	+0.016	350							330	335	265	385	655	
YVP160L					254				+0.002						14.5		300	250	-0.013	350											700	
YVP180M			279	139.5	241	121	±3.0	48	110	±0.43	14	42.5	180								±3.0			0				355	380	285	430	725
YVP180L					279																			-0.12							765	
YVP200L			318	159	305	133		55		16	49	200					350	300	±0.016	400								395	420	315	475	850
YVP225S		4, 8			286		±4.0	60	140	±0.50	18	-0.043	53											∅1.2							900	
YVP225M		2	356	406		149		55	110	±0.43	16		49	225	18.5		400	350	±0.018	450				5				435	475	345	530	915
		4, 6, 8			311																										930	
YVP250M	2	406	203	349	168		60				53	0															490	515	385	575	1015	
	4, 6, 8						65				58	-0.20	250																			
YVP280S	2			368			75	140		20	0	67.5				500	450	±0.020	550												1130	
	4, 6, 8									20	-0.052			24																		
YVP280M	2	457	228.5		190		65	+0.030	18	0	-0.043	58	280															550	580	410	640	
	4, 6, 8			419			75	+0.011	20	0	-0.052	67.5																			1180	
										20	-0.052			+0.52																		
YVP315S	2			406		±4.0	65		±0.50	18	0	-0.043	58																		1340	
	4, 6, 8, 10						80			22	0	-0.052	71																		1370	
YVP315M	2	508	254	457	216		65	140		18	0	-0.043	58	315	-1.0	600	550	±0.022	660									635	645	576	865	1410
	4, 6, 8, 10						80	170		22	0	-0.052	71																		1455	
YVP315L	2			508			65	140		18	0	-0.043	58		28																1410	
	4, 6, 8, 10						80	170		22			71																		1455	
YVP355M	2			560			75	140		20	0	67.5																			1640	
	4, 6, 8, 10						95	+0.033	170	25	0	86				740	680	±0.025	800												1670	
YVP355L	2	610	305		254	±4.0	75	+0.033	140	20	0	67.5	355															740	750	680	1035	1640
	4, 6, 8, 10			630			95	+0.033	170	25	0	86																			1670	

注：R 尺寸为凸缘配合面至轴伸肩的距离。

Note: Size R is the distance between the flange fitting surface and the shaft shoulder.