

DYTS系列大功率永磁同步力矩伺服电动机

DYTS High Efficiency Permanent Magnet Torque Servo Motor

概述 Outlines

DYTS系列电动机是我公司针对机床、包装机械等行业的需要而开发的新一代产品，是高性能高附加值的伺服永磁同步电机。

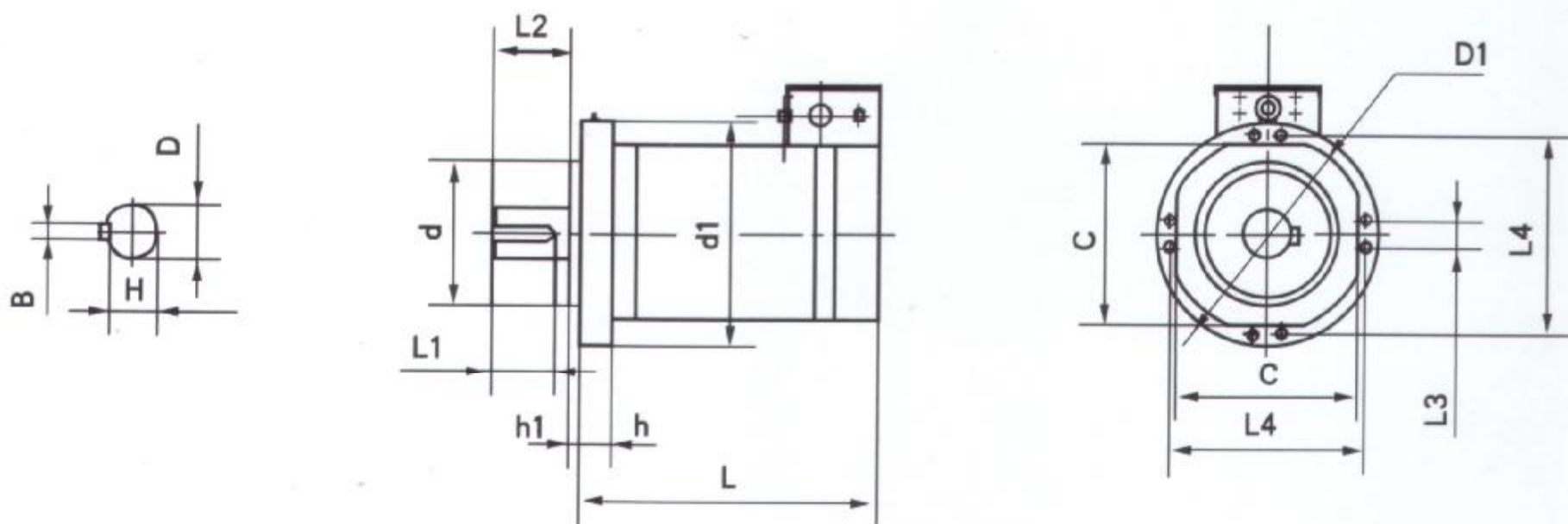
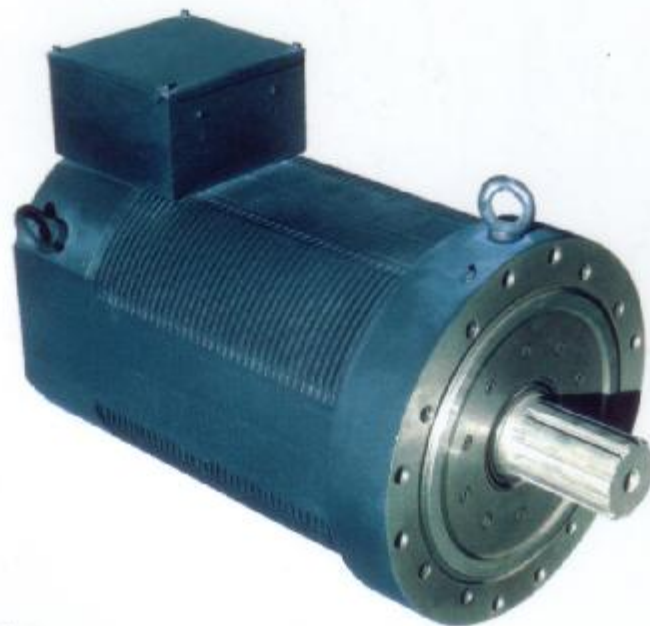
该产品采用了低惯量和强劲的扭矩特性设计，使得DYTS系列电动机与伺服驱动器配合可以完美实现单轴定位、多点定位、速度控制、力矩控制、同步角度控制等功能，有电子减速箱和分度盘的功能。具有动态响应快、起动转矩高、定位精度高、效率高等优点。

DYTS系列电动机是中高档数控机床、包装设备、加工中心等的理想的伺服驱动单元，可以与国内外各种数控系统配套。

DYTS series motor is a new-generation product developed by our company to meet requirements of machine tool and packing industries. It's a high performance and high additional value product.

Because of adopting low inertia and strong torque character design, the DYTS series motor can achieve excellent single shaft positioning, multi-point positioning, speeds controlling, synchronized angle controlling, and also electronic reducer box function and dividing panel function, etc. It has strong points of fast dynamic response, high starting torque, high positioning accuracy, high efficiency, etc.

DYTS series motor is an ideal servo driving unit for medium and high grade CNC machines, packing machines, etc. and forms a complete set with numerical control system. It can be used with kinds of numeral control system from both domestic and abroad.



DYTS 系列技术参数 Technical Data of DYTS Series

型号 Type	功率 Power (kW)	额定堵转转矩 Rated locked-rotor torque (N.m)	额定转矩 Rated Torque (N.m)	转动惯量 Rotary Inertia (kgm ²)	定子线电阻 Stator coil resistance (Ω)	电感 Inductance (mH)
DYTS-340-160	3.7	160	140	0.15	7.5	100
DYTS-340-320	7.3	320	280	0.3	2.8	50
DYTS-340-450	11	450	420	0.4	2.0	40
DYTS-340-600	14.6	600	560	0.5	1.5	30
DYTS-340-750	18.3	750	700	0.6	1.1	20
DYTS-340-960	22	960	840	0.7	0.5	10
DYTS-340-1050	25.6	1050	980	0.8	0.3	8
DYTS-340-1200	29.3	1200	1120	0.9	0.2	5
DYTS-340-1350	32.9	1350	1260	1.0	0.1	3
DYTS-340-1500	36.6	1500	1400	1.1	0.07	2

外型及安装尺寸 Outline and Mounting Dimensions

机座号 Frame No.	安装尺寸 Mounting Dimensions													
	d	d1	C	D1	L	L1	L2	B	H	D	h	h1	L3	L4
DYTS-340-160	300	410	340	380	330	80	110	16	49	55	80	5	70	368
DYTS-340-320	300	410	340	380	390	80	110	16	49	55	80	5	70	368
DYTS-340-450	300	410	340	380	450	80	110	16	49	55	80	5	70	368
DYTS-340-600	300	410	340	380	510	110	130	18	58	65	80	5	70	368
DYTS-340-750	300	410	340	380	570	110	130	18	58	65	80	5	70	368
DYTS-340-960	300	410	340	380	630	110	130	20	67.5	75	80	5	70	368
DYTS-340-1050	300	410	340	380	690	110	130	20	67.5	75	80	5	70	368
DYTS-340-1200	300	410	340	380	750	140	160	22	71	80	80	5	70	368
DYTS-340-1350	300	410	340	380	810	140	160	22	71	80	80	5	70	368
DYTS-340-1500	300	410	340	380	870	150	170	22	76	85	80	5	70	368